

## Панель сенсорная DMX-2811

### PRODUCT INTRODUCTION:

Панель DMX-2811 DMX512 (For RGBW) is DMX signal output to connect DMX decoders. It is of high sensitive glass touch panel, and any finishing color could be customized. This wall switch suit for any RGB or RGBW LED lightings for home club bar etc.




### PRODUCT PARAMETER:

- Input voltage 12V
- Output DMX512 signal
- Size 86mm\*86mm\*35mm

### OPERATIONS:



Play&pause button. There is only 1 build-in mode. When you touch  his button, it will



Brightness




Speed down




Speed up



Button can save the color from mode or save color when you touch color wheel. In "S" button, it saved "R/ G/ B" 3 colors in default. But with your operation, you can save another 3 colors replace those R/G/B colors.

When you press  this button, 1 build-in mode will run, if now you see a favorite color in the mode, then you can press "S" button for 5 seconds until connected lighting flashes. Then it saved successfully.

When you touch  color wheel, if you touch a favorite color on it, then you want to save it, then you press "S" button for 5 seconds until the connected lighting flashes. Then it saved successfully.



For Warm white, Natural white, Cool white changing. (Through the three RGB color mixing).



Touching wheels



Switch off and on, long press means default setting.



Short press means switch on and off for each channel. 1st Long press means brightness+, 2nd Long press means brightness—.

At the corner of the panel there is a signal light, Blue means on, Red means off.

*DMX-2811 can send 40 data. It's from 1 to 40. Data 1 is the data of R channel. Data 2 is the data of G channel. Data 3 is the data of B channel. Data 4 is the data of W channel. All DMX decoder needs 4 address as a group, such as 1-4, 5-8, 9-12, 13-16, 17-20, 21-24, 25-28, 29-32, 33-36, 37-40. Every 4 by one, each group means RGBW 4 addresses. so there are only 4 different addresses.*

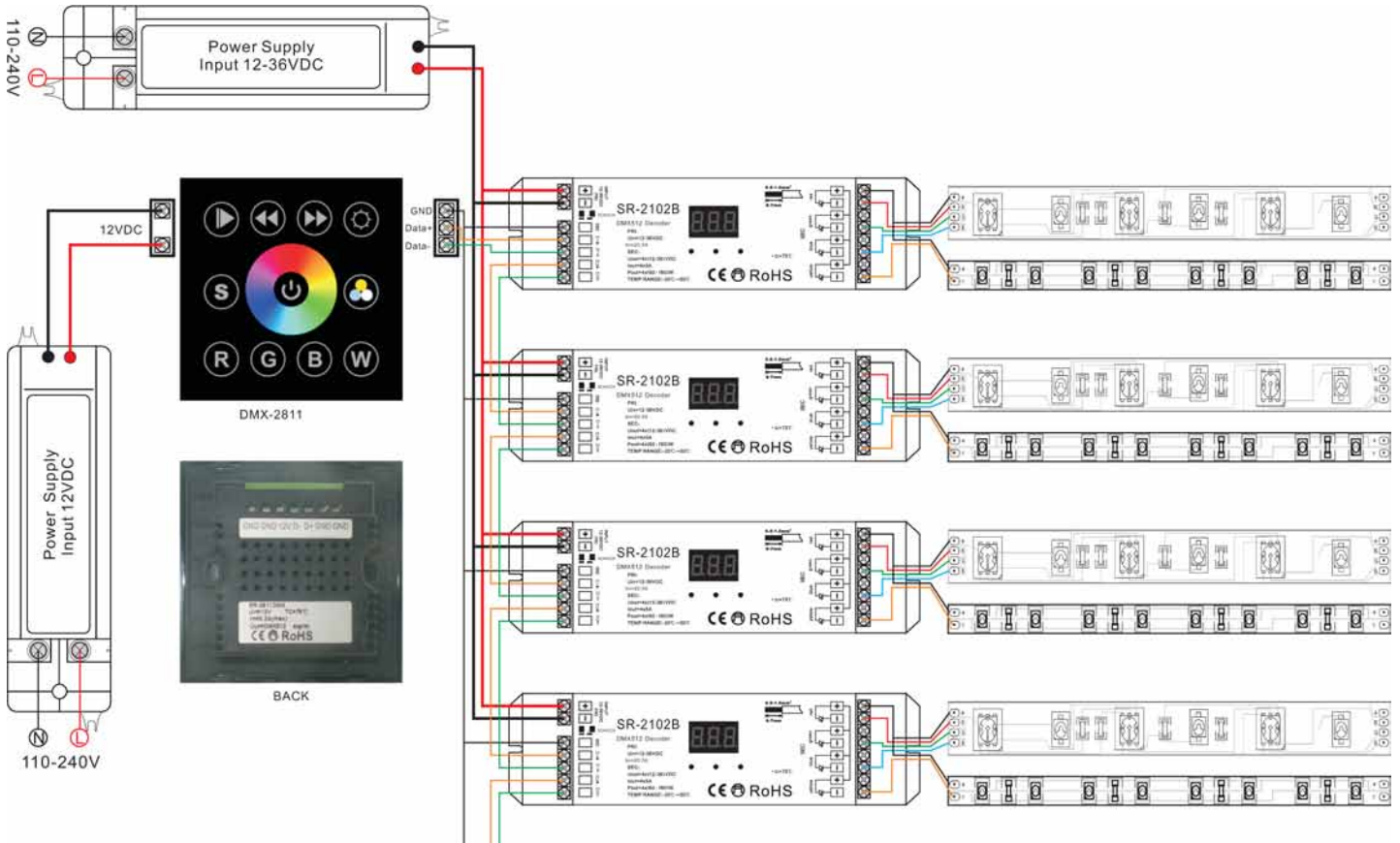
*If we want all the decoders work synchronously, the 1st receiver could be addressed as 001, the 2nd addressed 005...009...013... until to 037. Every 4 by one.*

*If you need to connect more than 10 DMX decoders, you may set the same addresses.*

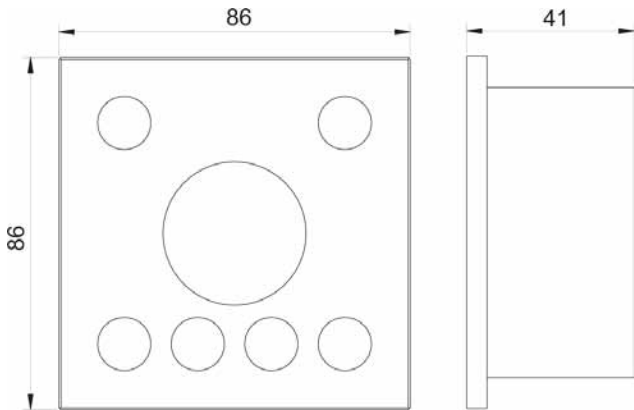
### DEFINITION OF OUTPUT PORT:

PIN NUMBER	7	6	5	4	3	2	1
IIC	GND	DAT	CLK	LAT	OE	GND	V+
DMX512	GND	D+	D-	-	-	GND	V+

# WIRING DIAGRAM:



# PRODUCT SIZE:



# INSTALATION:

